



Carolina Residential Elevator

Comfortably access all
of the home you love.


AmeriGlide
ACCESSIBILITY SOLUTIONS

Battery-Powered Convenience

The AmeriGlide Carolina Residential Elevator is a through-the-floor elevator that doesn't require a hoistway. Its the first ever battery powered elevator that works even during a power outage!

Unlike other home elevators on the market, the Carolina Elevator features a space-saving retractable door, reducing the overall footprint required for installation. The Carolina Elevator is beautifully designed, functional, sturdy, reliable and unobtrusive.

KEY FEATURES

- No elevator pit or room required
- Can be installed against any wall
- Minimal construction required
- No special wiring required
- Can run in both directions if power fails
- Color options available



Standard Features

These standard features come on every Carolina Elevator. No extra cost, just great value!

Capacity

400
lbs

Travel

2
stops

Warranty

3
years

Drive

Dual
Winding Drum

Speed

10 - 14
fpm

STANDARD EQUIPMENT INCLUDED:

Controls

- Battery powered with charger
- Constant pressure controls
- RF wireless call stations / key fob
- Diagnostic LED indicator

Car

- Finish: RAL 9002 powder coated with clear vision panels
- Front entry, side entry or pass-through
- Fold down seat
- Sliding car door with clear vision panels

Safety

- Limit switches at each stop
- Final limit at top
- Emergency stop and alarm
- Honeywell door interlock
- Safety pan on bottom of car
- Slack cable device
- Phone



Sliding Door



Fold Down Seat



Easy Controls

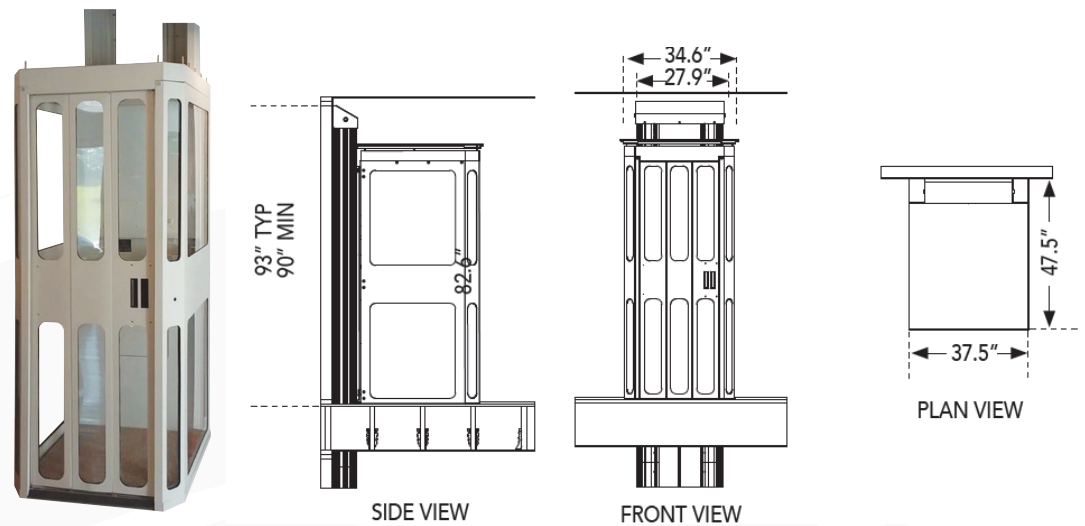


3 Versatile Configurations

Customizable to your home and your needs, the AmeriGlide Carolina Residential Elevator can be installed in multiple ways:

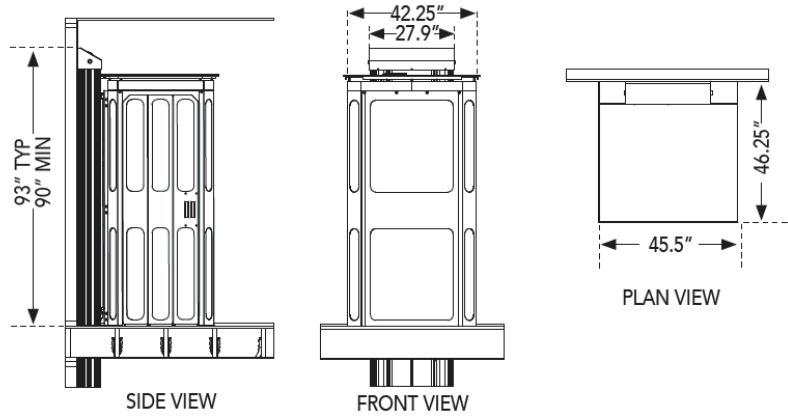
- Front Entry
- Side Entry
- Pass-Through Entry

Front Entry

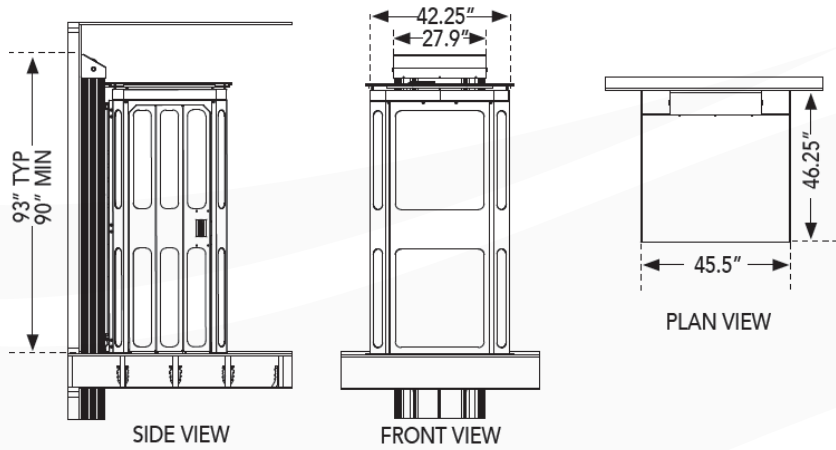


Dimensions shown are normal and subject to change without notice.

Side Entry



Pass Through Entry





AmeriGlide

ACCESSIBILITY SOLUTIONS



1-800-790-1635



Ameriglide.com